

INSTALLATION AND USER MANUAL

ALFA AIRSAFE

SAFE PERSONNEL AND MACHINE BLOWING AND DRYING SYSTEM



ALFA AIRSAFE
Personnel Cleaning System



ALFA Basınçlı Hava Sistemleri Ve Mühendislik San. Tic. Ltd. Şti.
Yayla Mah. Öz dere Sk. No:3/5 Tuzla- İstanbul



+90 530 447 12 59



www.alfairsafe.com



satis@alfahava.com
(Sales and Information)



info@alfahava.com
(Accounting)

TABLE OF CONTENTS

1- Introduction and Model Information	3
1.1. Description of the Device:	3
1.2. Model Information:	3
1.3. Intended Use:	3
1.4. Device Components.....	3
2- Standard Features.....	4
3- User Responsibilities.....	4
4- Safety Precautions	5
4.1. Electrical Safety:	5
4.2. General Safety:	5
5- Installation and Assembly.....	5
5.1. Wall Mounting Instructions:.....	5
5.2. Portable Model Installation:.....	5
6- Operation and Usage Instructions.....	6
6.1. Starting the Unit and Speed Control	6
6.2. Automatic Shut-off Feature:.....	6
7- Assembly and Maintenance.....	7
7.1. Hose and Gun Assembly:	7
7.2. Filter Replacement:	7
8- Spare Parts List.....	8
9- CE Certificate.....	9
10- Warranty Conditions and Service	10

1- Introduction and Model Information

1.1. Description of the Device:

ALFA AIRSAFE is a professional blowing and drying system designed for safely removing dust, fibers, chips, and water particles from personnel clothing and equipment using high-volume, low-pressure air. Unlike traditional compressed air guns, it operates at a safe pressure of **0.2 bar**, allowing direct use on the human body.

1.2. Model Information:

This manual covers the following model and its variations:

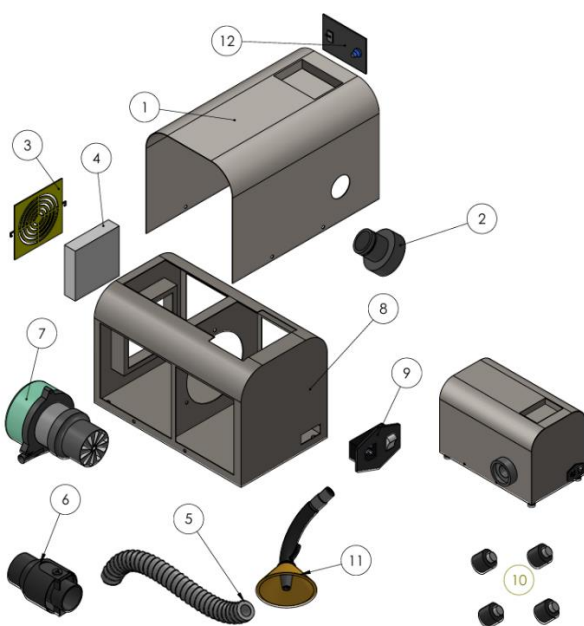
- **Model:** ALFA AIRSAFE V1
- **Operating Voltage:** 230V AC (Standard)
- **Noise Level:** Maximum 78 dB (A)
- **Protection Class:** IP54 (Protected against dust and splashes)

1.3. Intended Use:

The unit is designed for:

- Cleaning personnel at the end of shifts or during work processes
- Removing dust from sensitive machinery
- Creating a cleaning area compliant with occupational safety standards

1.4. Device Components



1. Top Cover
2. Hose Inlet Flange
3. HEPA Filter Cover
4. HEPA and Dust Filter
5. Hose
6. Hose Mounting Apparatus
7. Blower Motor
8. Main Body
9. Fuse and On/Off Switch
10. Feet
11. Blowing Gun - Chip Protection

2- Standard Features

All Models:

- System compresses ambient air and provides high-volume, oil-free clean air safely
 - 3.0 psi (0.2 Bar)
- Flexible hose and adjustable head allow easy control
 - Chip Guard – functions as a safety shield protecting the user from hazardous rebound particles (OSHA compliant)
- Heavy-duty metal housing ensures durability
- Heat-resistant hose maintains flexibility in all workplaces
- Quick-release connector for easy hose removal
- Low indoor noise level – maximum 78 dB(A)
- Safe for direct use on the human body with oil-free air and safe pressure
- Removes dust, fibers, water, and similar particles from workwear and machinery
- Maximum 1.4 kW/h low operating cost
- Available in 115V and 240V, 50/60 Hz units

3- User Responsibilities

1. The operator must fully understand safety precautions and operating procedures to ensure safe and proper use of the equipment.
2. Read and understand the Safety Precautions section before operating the equipment.
3. Read and understand all operating procedures before use.
4. Follow fundamental regulations regarding worker protection and accident prevention.
5. Comply with additional workplace rules and regulations.
6. Operators must be regularly evaluated after training to ensure full understanding of safety and procedures.
7. Following basic safety rules further reduces risks.



WARNING!

Please read all safety-related information carefully. Failure to comply may void your warranty.

4- Safety Precautions

4.1. Electrical Safety:

1. Check the AC cable for cuts and damage (inspect regularly).
2. Ensure correct supply voltage before powering the unit.
3. It is recommended to connect the unit to a surge-protected power supply compliant with local regulations.
4. The unit is equipped with a standard three-prong plug and a 15A circuit breaker.
5. Do not carry the portable unit by the power cable or hose.
6. Ensure the voltage used matches the machine specifications. Standard motors: 115V or 240V, single phase, 50/60 Hz

4.2. General Safety:

1. The On/Off switch is located on the front panel.
2. Ensure the portable unit stands firmly on all four feet.
3. Adjust speed only when the unit is turned off.
4. Never remove guards or the flexible hose. Do not allow objects to pass through the guard while the fan is running.
5. Always disconnect power before cleaning. Do not use pressurized or steam cleaners.
6. Eye protection is recommended during operation.

5- Installation and Assembly

This unit is designed with operator safety and maximum performance as primary goals. The use of non-OEM parts may compromise safety and/or performance and void the warranty.

5.1. Wall Mounting Instructions:

Install the unit in the most suitable location, such as entry/exit points.

Mount using six screws through wall mounting holes. The bottom of the unit (hose outlet) should be approximately 130–140 cm above ground.

5.2. Portable Model Installation:

Place the unit so all four feet are in contact with a flat surface. Both models must be connected to a properly grounded outlet.

6- Operation and Usage Instructions

6.1. Starting the Unit and Speed Control

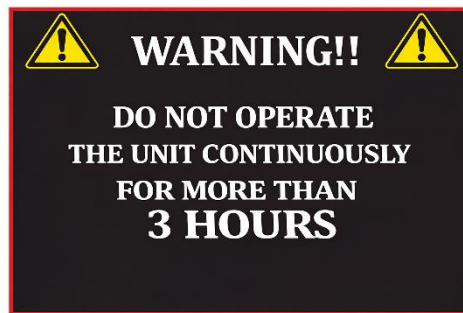
To operate Alfa AirSafe:



Set the side switch to position "1".
Power input is protected with a 15A fuse.

The red LED on the front panel will illuminate, indicating power supply.

Press the ON-OFF button to ON position to start the unit. Adjust airflow speed using the speed control knob above.



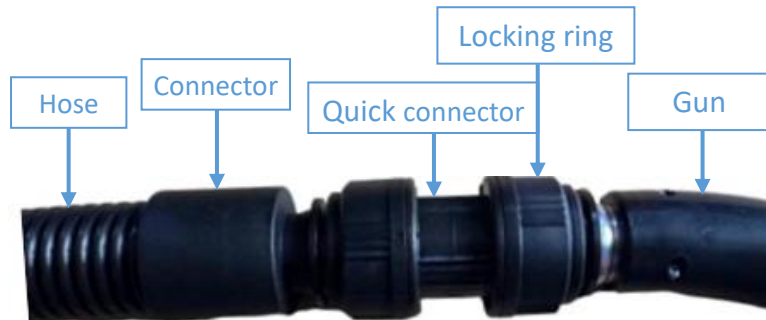
To turn off: Set the ON-OFF button to OFF.

6.2. Automatic Shut-off Feature:

IMPORTANT: If left on, the unit will automatically shut off after 2 minutes!
To restart, turn the unit off and on again!

7- Assembly and Maintenance

7.1. Hose and Gun Assembly:



Loosen the locking ring. Connect hose connector and gun to the quick coupling. Tighten until locked (you will hear a locking sound)

7.2. Filter Replacement:

- Filter is located inside the side panel of the unit
- Replace at least every 6 months (earlier in dusty conditions)
- Can be cleaned twice by reverse air blowing
- After that, it must be replaced

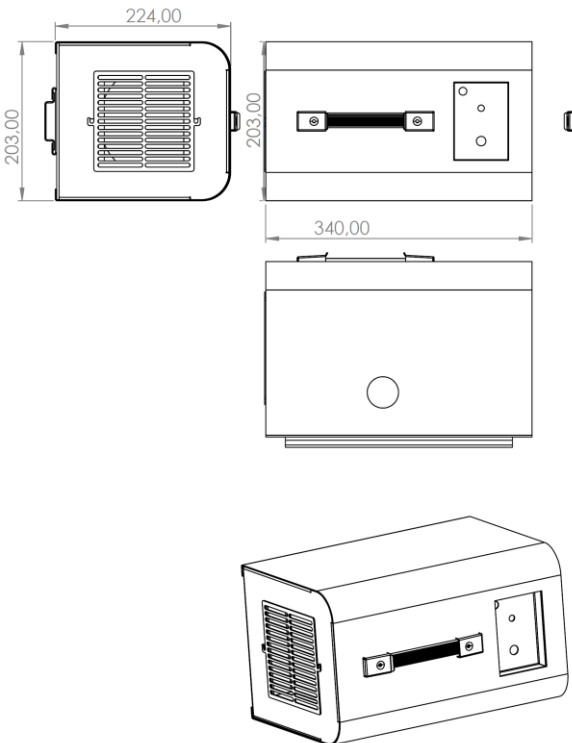
To access:

- Loosen two screws on the top cover
- Remove cover
- Replace filter



8- Spare Parts List

 <p>NOZZLE</p>	 <p>QUICK CONNECTOR</p>	 <p>SAFETY CAP</p>	 <p>BLOWER MOTOR</p>
 <p>TIME RELAY</p>	 <p>SPEED CONTROL BOARD</p>	 <p>POTENTIOMETER</p>	 <p>FUSE</p>
 <p>ON/OFF SWITCH</p>	 <p>HOSE</p>	 <p>ANTI-VIBRATION FEET</p>	 <p>HEPA FILTER</p>



ALFA AIRSAFE Specifications

Dimensions : 340x203x224 mm

Weight : 9,5 kg

Box Dimensions: 400x300x250 mm

Box Weight : 11 kg

9- CE Certificate

CERTIFICATE



**Uluslararası
Belgelendirme**




CE UYGUNLUK BEYANI
CE DECLARATION OF CONFORMITY

**ALFA BASINÇLI HAVA SİSTEMLERİ VE
MÜHENDİSLİK SANAYİ TİCARET LİMİTED ŞİRKETİ**

**YAYLA MAH. ÖZDERE SK. ÇAMLIK APT NO: 3 İÇ KAPI
NO: 5 TUZLA/ İSTANBUL**

That the following described product in our delivered version complies with appropriate basic safety and health requirements of **PRESSURE EQUIPMENT DIRECTIVE 2014/68/EU, MACHINE SAFETY REGULATION 2006/42/EC, EMC DIRECTIVE 2014/30/EU, LOW VOLTAGE DIRECTIVE (LVD 2014/35/EU)** on its design and type, as brought into circulation by us. In Case of alteration of the product, not agreed upon by us, this declaration will lose its validity.

Testim edilen versiyonumuzda aşağıda tanımlanan ürünün **BASINÇLI EKİPMAN YÖNETMELİĞİ 2014/68/ AB, MAKİNE EMNİYETİ YÖNETMELİĞİ 2006/42/EC, ELEKTROMANYETİK UYUMLULUK YÖNETMELİĞİ (2014/30/EU) ALÇAK GERİLİM YÖNETMELİĞİ 2014/35/AB** tasarım ve tipine göre tarafımızca dolaşıma sokulan uygun temel güvenlik ve sağlık şartlarına uygun olduğunu beyan ederiz. Ürünün değiştirilmesi durumunda, tarafımızdan üzerinde anlaşmaya varılmayan bu beyan geçerliliğini kaybedecektir.

Description Of The Product/Product Part	: SAFE LOW-PRESSURE, HIGH AIR FLOW PERSONNEL AND EQUIPMENT CLEANING AND DRYING EQUIPMENT
Ürün / Ürün Parça Tanımı	: EMNİYETLİ BASINÇ – YÜKSEK HAVA DEBİLİ PERSONEL VE MAKİNE TEMİZLEME VE KURUTMA EKİPMANI
Marka	: ALFA AIRSAFE
Applicable EC Directives	
Uygulanabilir Direktifler	: 2014/68/ AB, 2006/42/EC, 2014/30/EU, 2014/35/AB
Applicable Harmonised Standards	
Uygulanabilir Standartlar	: TS EN ISO 9001, TS EN ISO 13445
Certificate Code	
Sertifika Kodu	: ALFA BASINÇLI
Certificate Number	
Sertifika Numarası	: A1700176
Certificate Issue Date	
Sertifika Hazırlanma Tarihi	: 23.02.2026
Certificate Validity Date	
Sertifika Geçerlilik Tarihi	: 23.02.2027
EU Representative/AB Temsilcisi	
(Authorized Signature and Title)	
(Yetkili İmza ve Ünvanı)	

Sistem için bir garanti süresi tanımlanmış ve güncellenen versiyonlarımıza uygulanır. BEL, denetim yürütülmesinde gerekli risk ve yetkilik güncellemesine rağmen büyük ölçümlerde dahi sorumluluk kabul etmeyecektir. Bu belgenin mülkiyeti hakkı BEL, sitre ve internetiğinde saklıdır.






051073

BELCERT ULUSLARARASI BELGELENDİRME ŞİRKETİ
Hürriyet Bulvarı, No:45, Türkseven Apt. K:1-D:7, Yakuplu, Beylikdüzü / İstanbul
Telefon: 0212 438 04 76 - E-mail: info@belcert.com

Belgenin geçerlilik durumu <https://www.belcert.com> adresinden kontrol edilebilir.

www.belcert.com

10- Warranty Conditions and Service

ALFA AIRSAFE is covered by a **1-year warranty** against manufacturing and material defects from the invoice date.

- Products with incomplete payment are not covered Consumables (filters, hose heads, etc.) are excluded
- Improper use, unauthorized intervention, or lack of maintenance voids the warranty
- Damage due to voltage fluctuations, improper installation, dust, water, or natural disasters is excluded

ALFA is not responsible for on-site disassembly or installation.

Parts under warranty are replaced free of charge; however, travel and service costs are borne by the customer.

Liability is limited to the cost of the supplied product. The company is not responsible for loss of profit, penalties, system failures, or damage to other equipment.

Defective parts may be repaired or replaced upon inspection. Shipping costs belong to the sender. Approval must be obtained from technical service before sending parts.

Ship to:

**ALFA BASINÇLI HAVA SİSTEMLERİ VE MÜHENDİSLİK
SANAYİ VE TİCARET LTD ŞTİ**

**YAYLA MAHALLESİ ÖZDERE SOKAK NO:3/5
TUZLA /İSTANBUL**

Tel: 0530 447 12 59

Contact: Serhat Çağıl

www.alfahava.com

www.alfaairsafe.com